



#### SIDE SPREAD CONTROL

#### SIDESPREAD CONTROL™

Patent U.S. 10,993,368

Your EarthWay spreader includes a patented feature to prevent fertilizer from being spread to the left side. To activate this feature, slide the lever below the hopper to the back (if standing behind the spreader) and position the left wheel 6"-12" from your sidewalk or border. This will not waste fertilizer like competitor designs that leave 7X the fertilizer inside the wheels from blocking material leaving the impeller.

#### SPREADER RATE SETTINGS

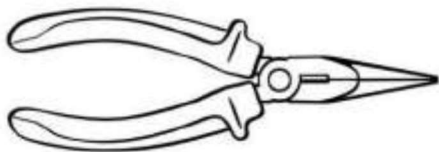
LBS PER 1000 SQUARE FEET	GRASS SEED	FERTILIZER SGN 240 (3/32")	SAND SGN 150 (1/16")
1 LB		9	7
2 LB	14	13	10
3 LB	16	16	13
4 LB	18	20	14
5 LB	20	22	16
8 LB		28	22

## HELPFUL HINTS

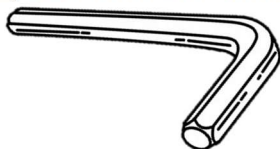
- ☑ Read the directions before assembly.
- ☑ If your spreader does not spread evenly, be sure "FRONT" on the GEARBOX points to the front of the spreader. **The impeller must turn clockwise when pushing forward.** Reversing the GEARBOX during assembly will cause issues.
- ☑ Your spreader is calibrated for three miles per hour, which is a brisk walking speed. Slower or faster speeds will change the spread pattern. Wet fertilizer will also change the spread pattern and flow rate. **Do not use powdered materials as it will damage the gearbox.**
- ☑ Gears are permanently lubricated at the factory. Do not open the GEARBOX or dirt may enter.

### PRIOR TO ASSEMBLY YOU WILL NEED:

#### NEEDLE NOSE PLIERS



#### 7/64 Allen Wrench



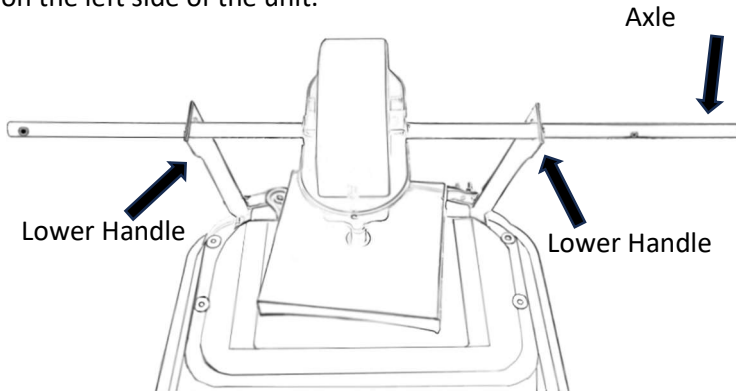
#### 7/32 Ratchet and/or WRENCH



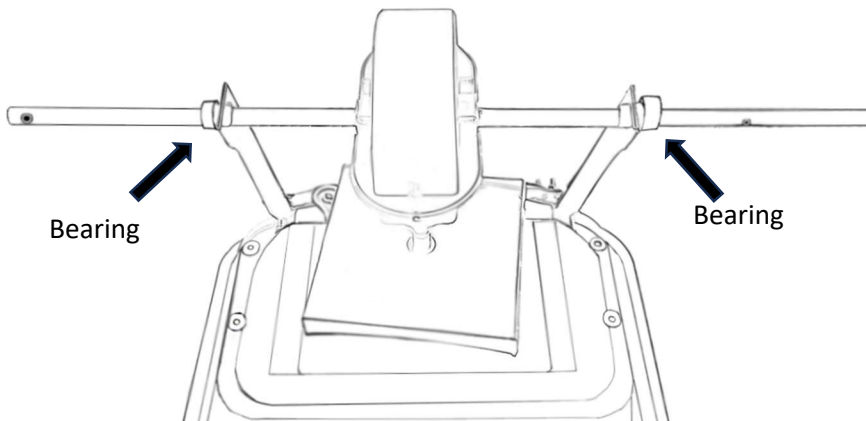
## ASSEMBLY INSTRUCTIONS

First Remove all components and hardware items from the box. Place the hopper upside down with the EarthWay logo facing away from yourself.

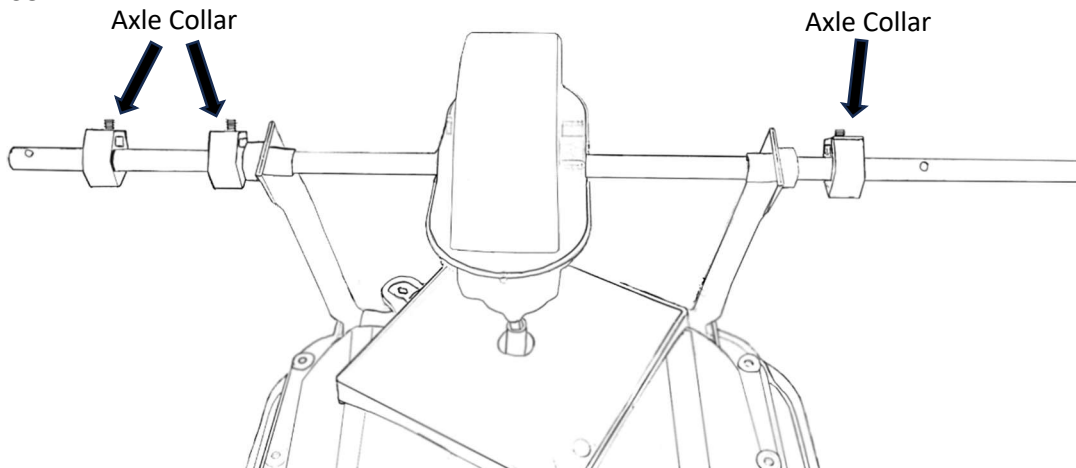
**Step 1:** Insert the AXLE (key #19) through the LOWER HANDLES (key #13). The DRIVE WHEEL will be on the left side of the unit during the assembly process. The hole for the DRIVE WHEEL will be the further hole in on the AXLE and will be on the left side of the unit.



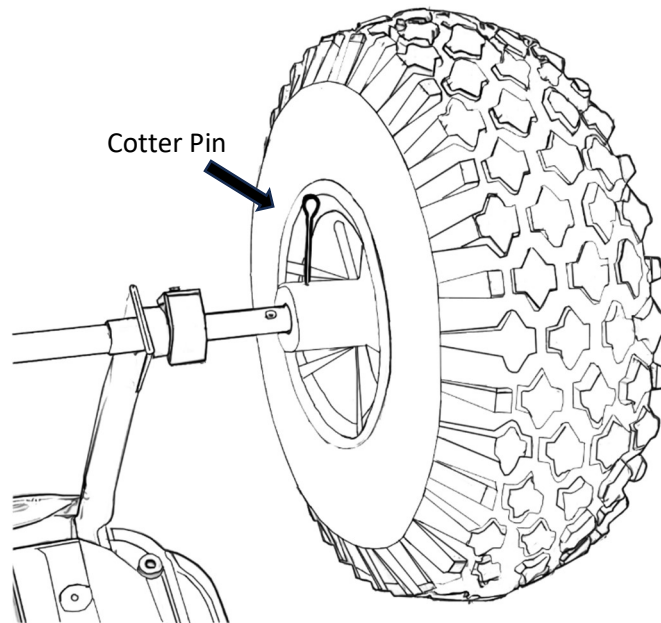
**Step 2:** Install the two BEARINGS (key #15) to the LOWER HANDLES (key #13). Make sure to line up the cut outs of the LOWER HANDLES to the notch on the BEARINGS.



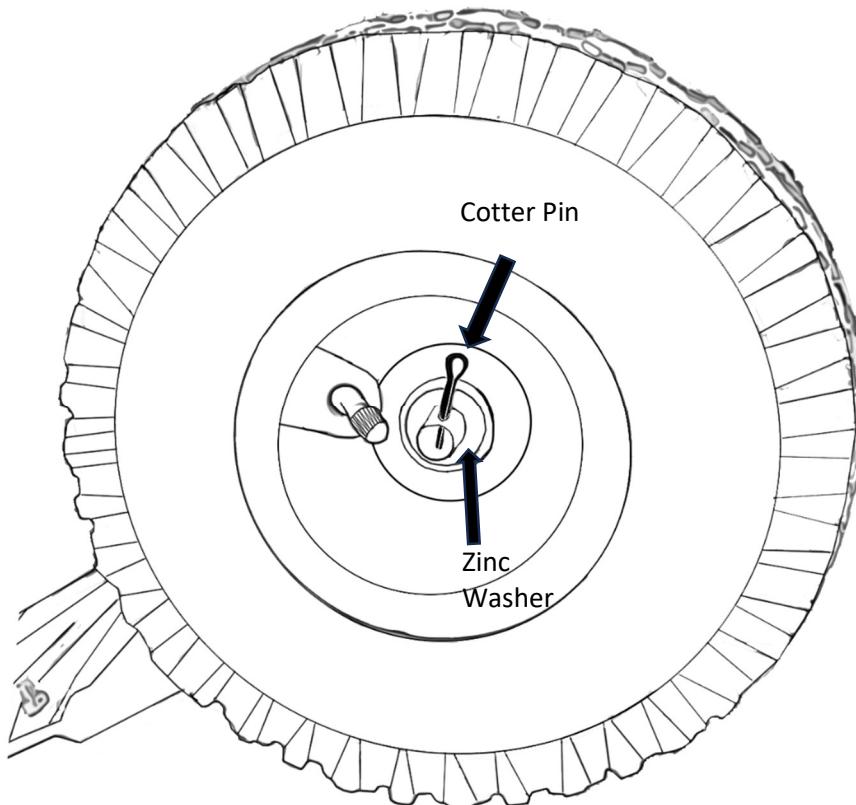
**Step 3:** Slide on the three AXLE COLLARS (key #20) on to the AXLE (key #19). Two of the AXLE COLLARS will be on the FREE WHEEL side, and one will be on the DRIVE WHEEL side. Use the Allen Wrench to loosen the set screw in each AXLE COLLAR.



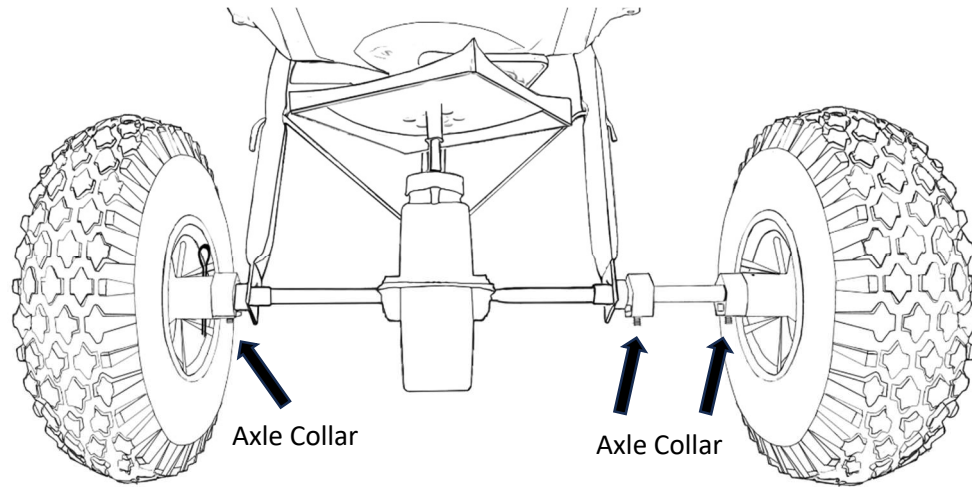
**Step 4:** Take one of the TIRES (key #18) and slide it onto the AXLE (key #19) from the left side. This will be your DRIVE WHEEL. Line up the hole on the inside of the tire rim to the hole on the AXLE and secure with your 1/8 x 1 3/4 Cotter Pin (key #21).



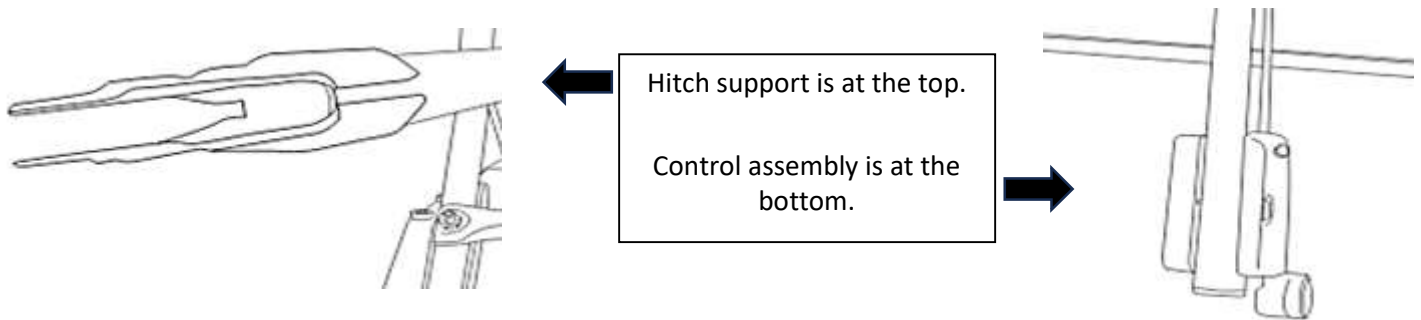
**Step 5:** Next, take the remaining TIRE (key #18) and slide in onto the AXLE (key #19) from the left. The AXLE and axle hole will protrude through the rim. Then Slide the ZINC WASHER (key #17) over the AXLE. Once the hole on the rim of the tire is lined up with the hole on the axle secure with the 1/8 x 3/4 COTTER PIN.



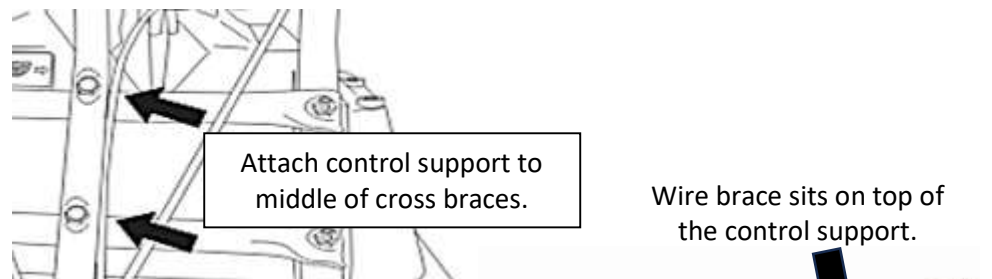
**Step 6:** Now lock in the AXLE COLLARS. First, slide the DRIVE WHEEL in as far as it can go against the BEARING, then take your Allen wrench and tighten down the AXLE COLLAR. Next, go to the FREE WHEEL side and push one AXLE COLLAR against the tire and one AXLE COLLAR against the BEARING. Once those AXLE COLLARS are in position tighten them down.



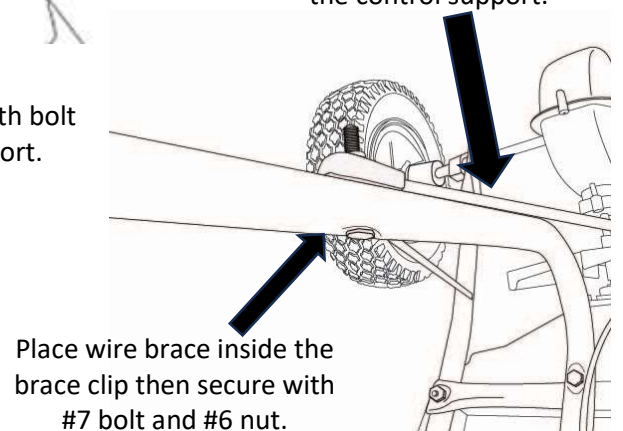
**Step 7:** Take the control support (key #8) and place it under the wire brace (key #11) so that the wire brace rests on the control support. Make sure the control lever is facing down and the hitch plate is facing up.



**Step 8:** Using nuts (key #6) and bolts (key #7), attach the control support to the cross braces.

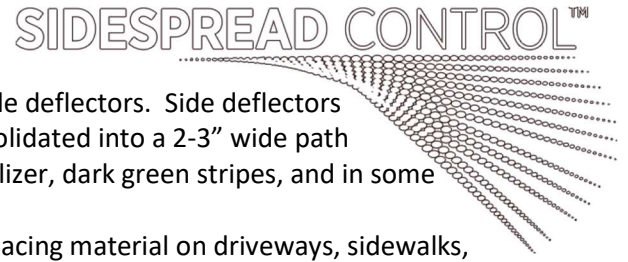


**Step 9:** Once that is secured take the brace clip (key #10) along with bolt (key #7) and nut (key #6) to attach the wire brace to the control support.



## OPERATING INSTRUCTIONS

- ☑ Obtain proper setting for material to be used from the enclosed SETTING MATRIX included with this spreader, or from our web site under the MANUALS SECTION.
- ☑ Set stop bolt on rate gauge assembly to the proper rate setting.
- ☑ While pushing spreader forward, pull control lever back to stop bolt, to stop spreading, push lever forward to close flow holes before you stop moving.
- ☑ When finished, empty any remaining material from hopper, rinse spreader, apply coating of light oil to all metal parts. The gearbox is sealed and is factory lubricated.



The **SideSpread-Control** is a patented innovation that is superior to side deflectors. Side deflectors block material leaving the impeller. This blocked material is now consolidated into a 2-3" wide path on the left inside wheel of your spreader. This equates to wasted fertilizer, dark green stripes, and in some cases this extra fertilizer (seven times) will damage the lawn.

**SideSpread-Control** maintains the correct application rate while not placing material on driveways, sidewalks, flowerbeds, or worse, the storm drains in your street. This saves you money and keeps you from damaging your lawn.

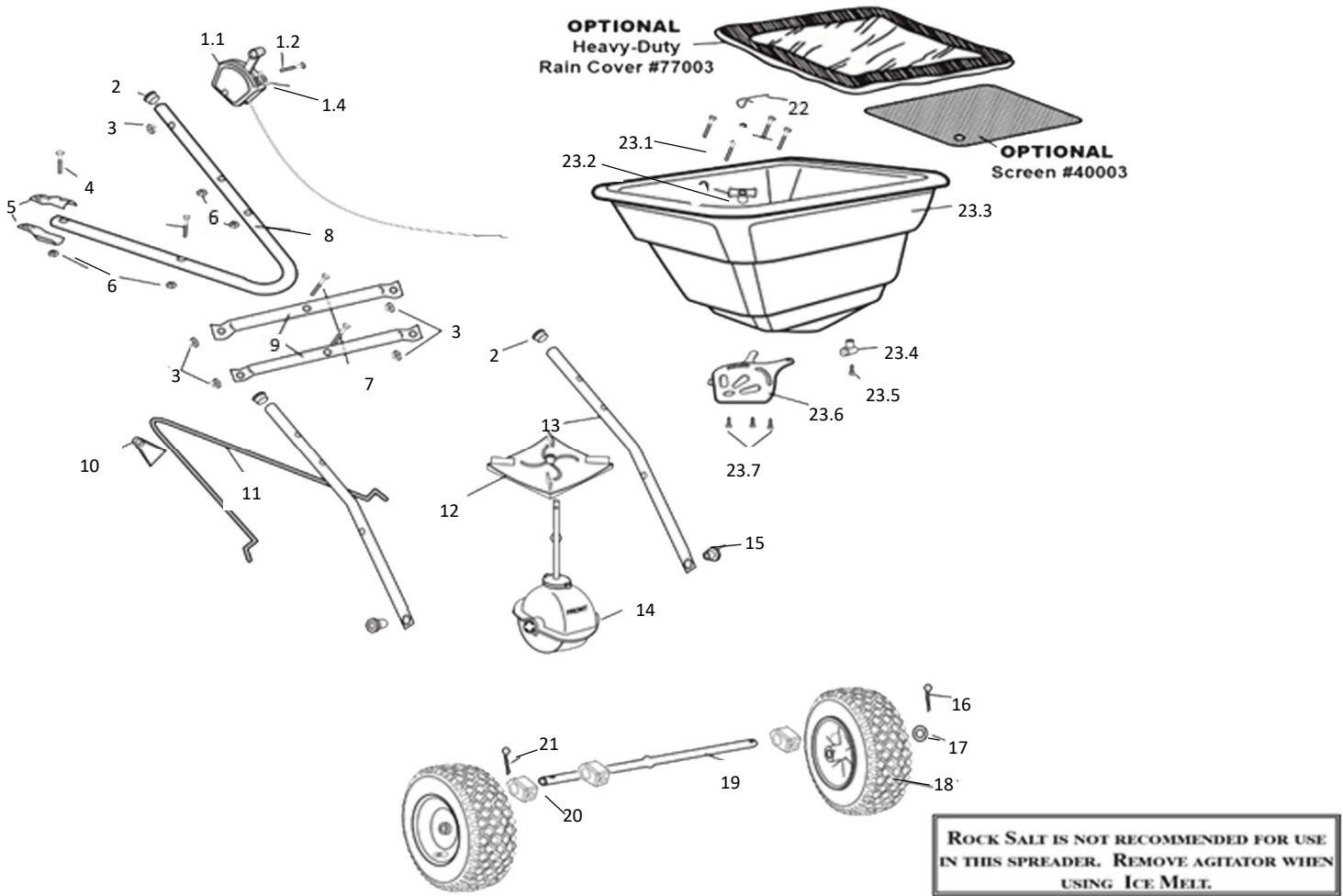
To engage **SideSpread-Control**:

- 1) Locate the lever on under the right side of the hopper.
- 2) Slide the control lever from the front to the back.
- 3) Position the left wheel of your spreader 6"–12" from the sidewalk, flowerbed, or driveway and spread as normal.
- 4) When you have completed this spreading pass, close the control lever to "0", and then open the **SideSpread-Control™** by sliding the control lever from back to the front, for a **FULL**, 180 degree spread pattern.



# HOW TO ORDER PARTS

Call or Email: TURF DEPOT 800-305-9255 or [earthway@turfdepot.com](mailto:earthway@turfdepot.com)



80 POUND (2050TP) Broadcast Spreader Parts List					
KEY	PART #	DESCRIPTION	KEY	PART #	DESCRIPTION
1	60514	CONTROL ASSEMBLY (1.1-1.4)	14	60404	GEAR BOX ASSEMBLY
2	19132	7/8" TUBE PLUG	15*	12197	SPACER BEARING
3	32100	1/4-20 HEX NUT	16*	33106	1/8 X 3/4 COTTER PIN
4	31100	1/4-20 X 1/2 FULL THRD SCREW	17*	34103	10D X 17/32"ID X 1/32" WASHER ZINC
5	44215	HITCH PLATE	18	70106	10" PNEUMATIC TIRES
6*	32103	1/4-20 NYLON LOCKNUT	19	23512	AXLE
7*	31114	1/4-20 x 1 3/4 HHCS SCREW	20*	P14634	AXLE COLLAR
8	25227	CONTROL SUPPORT	21*	33107	1/8 X 1 3/4 COTTER PIN
9	25226	CROSS BRACE	22	33117	AGITATOR
10*	12267	BRACE CLIP	23	60363	HOPPER ASSEMBLY (23.1-23.7)
11	43059	WIRE BRACE	*	38163	HARDWARE PACKAGE
12	12248	IMPELLER	Optional	77003	HVY DUTY RAIN COVER ALL 2050 13X19
13	25225	LOWER FRAME	Optional	40003	SQUARE SCREEN

---

## CUSTOMER SERVICE

---

[SUPPORT@EARTHWAY.COM](mailto:SUPPORT@EARTHWAY.COM) | [www.EARTHWAY.com](http://www.EARTHWAY.com) | 1009 Maple Street, Bristol, IN 46507

---

## ONE YEAR WARRANTY

---

### Limited Warranty

EarthWay Products, LLC. provides this limited warranty that this product is free of defects in original workmanship and materials for a period of one year to the end user with the original purchase receipt. If a manufacturing non-conformance is found, EarthWay Products, LLC. at its discretion will repair or replace the part(s)/product at no charge provided the failure is not the result of incorrect installation, mishandling, misuse, tampering, improper storage, or normal wear and tear as determined by EarthWay. Due to the corrosive nature of most fertilizers and ice melt products, EarthWay Products, LLC. makes no warranty against and specifically excludes part(s) or product degradation or failure due to corrosion or its effects.

EarthWay at its discretion may require that the part(s) or product be returned along with the original purchase receipt for examination and compliance with the terms of this limited warranty. Do not return any product without first receiving authorization from EarthWay Products, LLC. IN NO EVENT SHALL EITHER PARTY BE LIABLE TO THE OTHER FOR SPECIAL, INDIRECT, INCIDENTAL, OR CONSEQUENTIAL DAMAGES, EVEN IF SUCH PARTY SHALL HAVE BEEN ADVISED OF THE POSSIBILITY OF THE SAME.

To seek remedy under this limited warranty, contact EarthWay Products, LLC. at [support@earthway.com](mailto:support@earthway.com) or write to EarthWay Products, LLC. 1009 Maple Street, Bristol, IN 46507, and describe the nature of the manufacturing defect. SPECIFIC LIMITATIONS: This limited warranty covers only the part(s) or product; any labor charges associated with the repair or replacement of non-conformances are specifically excluded.

The above-listed warranty procedure is a condition precedent to bringing any legal action to enforce this limited warranty. Any action to enforce any portion of this limited warranty must be commenced within ninety days after the expiration of the limited warranty coverage period. Any performance of repairs will not suspend this limitation period from expiring unless state law provides otherwise. Any performance of repairs after the limited warranty coverage period has expired, or performance of repairs regarding anything excluded from coverage under this limited warranty shall be considered “goodwill” repairs, and they will not change the express terms of this limited warranty or extend the limited warranty coverage period.

Exclusive jurisdiction for deciding legal disputes relating to alleged breach of warranty or representations of any nature relating to this limited warranty must be filed in the courts of Elkhart County within the State of Indiana. Any and all claims, controversies, and causes of action arising out of or relating to this limited warranty, whether sounding in contract, tort, or statute, will be governed by the laws of the State of Indiana, without giving effect to any choice or conflict of law provision or rule.

NO OTHER WARRANTY, EXPRESS, IMPLIED, OR STATUTORY, SHALL APPLY, INCLUDING, BUT NOT LIMITED TO, ANY IMPLIED WARRANTY OF MERCHANTABILITY, APPLICATION, OR FITNESS FOR A PARTICULAR PURPOSE, OR ANY OTHER WARRANTY OBLIGATION ON THE PART EARTHWAY, AND ALL SUCH WARRANTIES ARE EXPRESSLY DISCLAIMED. In the event that applicable law prevents the disclaimer of any implied warranties, then such implied warranty shall be limited to the fullest extent permitted by law. Without limiting the foregoing, if applicable prevents the disclaimer of any such implied warranties, this limited warranty limits the period of time in which a claim for breach of implied warranties, including but not limited to the implied warranty of merchantability or fitness for a particular purpose, may be filed. In such event, any claim for breach of implied warranty must be brought before the expiration of this express limited warranty's one-year term.