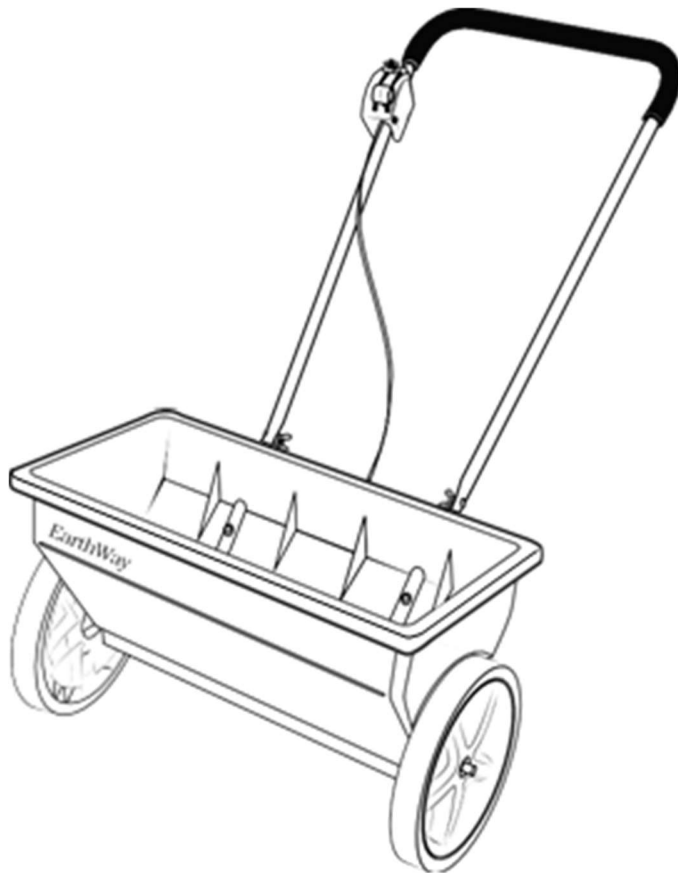


MODEL # 7312

ASSEMBLY INSTRUCTIONS



Visit our EarthWay website to see the assembly video



FEATURES

CAPACITY: 75 LB Capacity hopper.

RUSTPROOF: Engineered with rustproof technology, preventing the product from rust.

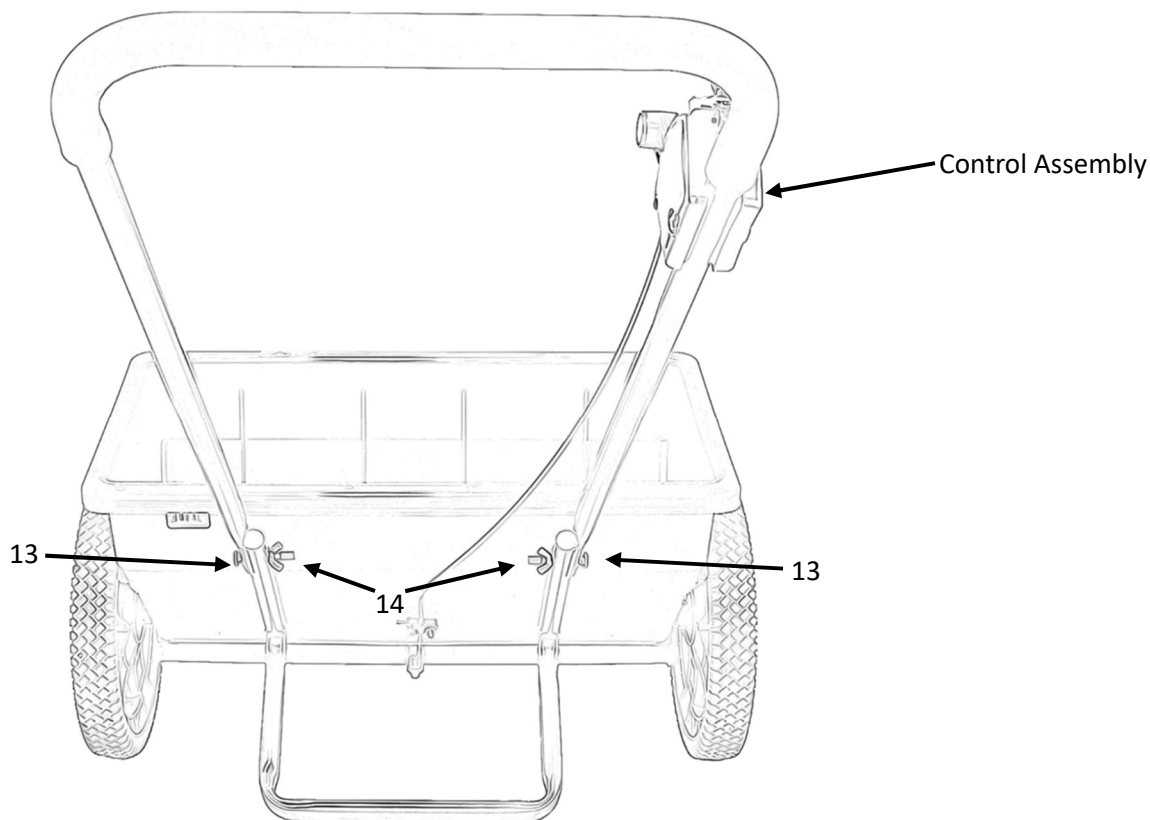
EASY ASSEMBLY: Assembly of the product is quick and easy.

LARGE TIRES: 12" semi-pneumatic tires.

WARRANTY: One year warranty.

ASSEMBLY INSTRUCTIONS

1. Remove Hopper Assembly and Handle Assembly from box.
 - a. The Control Assembly is already attached to the Handle Assembly and the Hopper Assembly
2. Attach Handle Assembly to the Frame by using 1/4-20 X 2" CARRIAGE BOLT ZINC (Part 13) and 1/4-20 WING NUT (Part 14).
 - a. Make sure the Control Assembly is facing up and on the right side of the handle.



OPERATING INSTRUCTIONS

Before Filling hopper, become familiar with the operation of this spreader.

- Obtain proper setting for material to be used from the SETTING MATRIX included with the spreader.
- Move stop bolt on the rate gauge assembly to the proper setting.
- While pushing the spreader forward, push control lever forward to the stop bolt.
- To stop, pull lever back to close flow holes **BEFORE** you stop moving.
- When Finished, empty any remaining material from the hopper.
- Thoroughly wash the spreader and allow it to air dry before storing.
- To prevent Corrosion, spray a light oil inside the tubing of the chassis and on all metal parts.

MODEL # 7312

ASSEMBLY INSTRUCTIONS

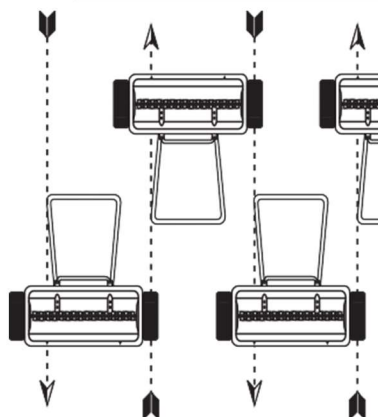
Establishing a Setting Rate

Step 1: Use Chart 1 to estimate the number of LBS per 1,000 square feet of coverage (example: 20LB bag with 10,000 square feet of coverage = 2 LBS per 1,000 square feet).

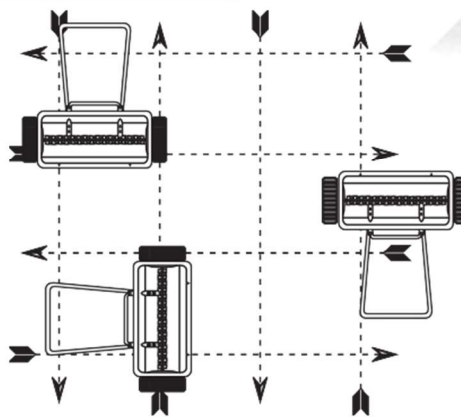
Step 2: Find the closest LBS per 1,000 square feet in Chart 2 that you estimated using Chart 1 (Example: 2 LBS per 1,000 square feet = Spreader Setting of 13)

CHART 1		BAG COVERAGE IN SQUARE FEET			CHART 2		
		5,000	10,000	15,000	GRAMS/SQ METER	LBS/1,000 SQFT	SPREADER SETTING
BAG WEIGHT		LBS/1,000 SQFT			5 Grams	1.0 LBS.	11
	5 LBS.	1.0	0.5	0.3	10 Grams	2.0 LBS.	13
	10 LBS.	2.0	1.0	0.7	15 Grams	3.0 LBS.	14
	15 LBS.	3.0	1.5	1.0	20 Grams	4.0 LBS.	16
	18 LBS.	3.6	1.8	1.2	25 Grams	5.0 LBS.	17
	20 LBS.	4.0	2.0	1.3	30 Grams	6.0 LBS.	18
	25 LBS.	5.0	2.5	1.7	35 Grams	7.0 LBS.	19
	30 LBS.	6.0	3.0	2.0	40 Grams	8.0 LBS.	20
	35 LBS.	7.0	3.5	2.3	45 Grams	9.0 LBS.	22
	40 LBS.	8.0	4.0	2.7	50 Grams	10.0 LBS.	23
	45 LBS.	9.0	4.5	3.0			
50 LBS.	10.0	5.0	3.3				

GRASS SEED		
GRAMS/SQ METER	LBS/1,000 SQFT	SPREADER SETTING
10 Grams	2 LBS.	13
15 Grams	3 LBS.	14
20 Grams	4 LBS.	16
25 Grams	5 LBS.	17



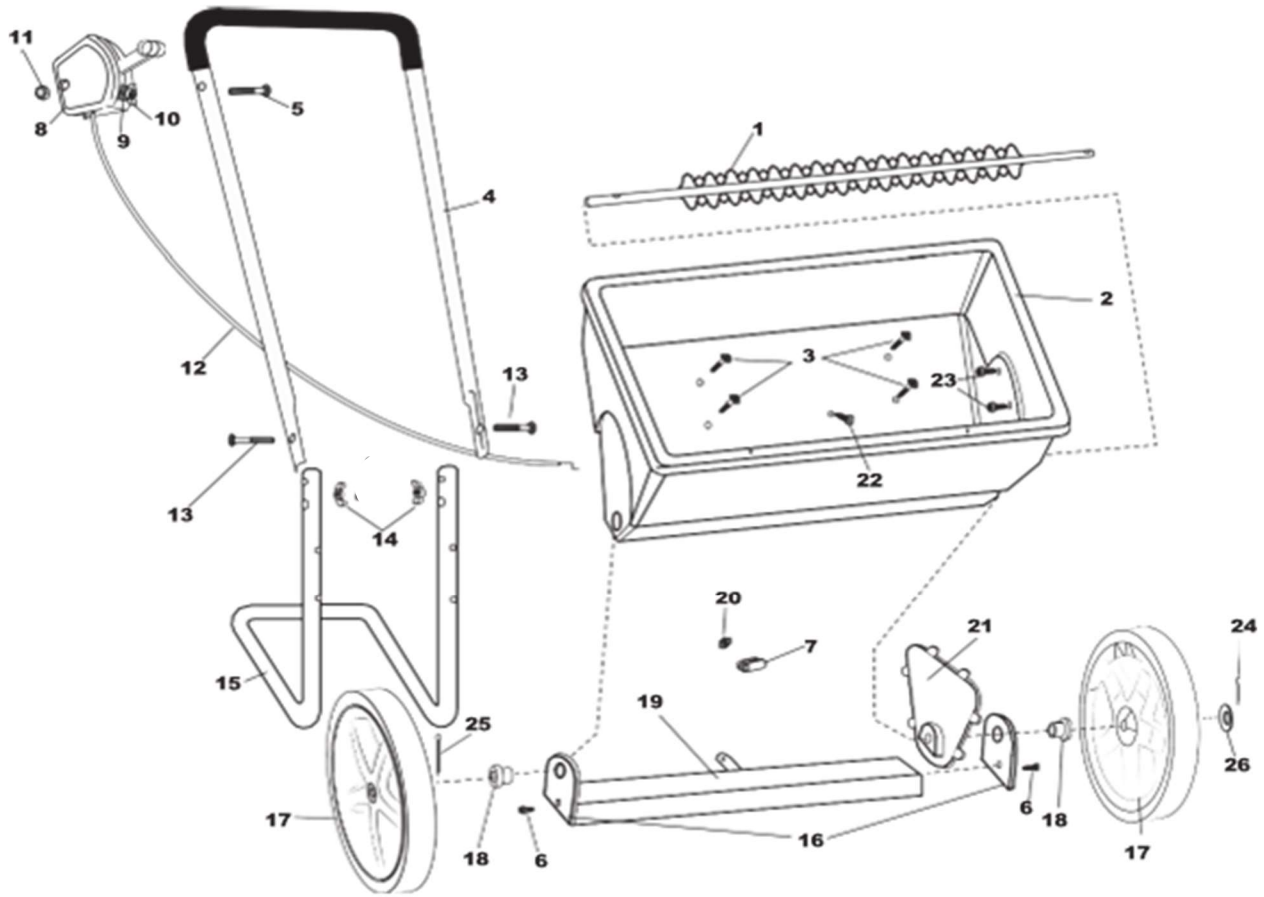
Drop Spreader Full Rate Path



Drop Spreader Half Rate Path

MODEL # 7312

ASSEMBLY INSTRUCTIONS



7312 Drop Spreader Parts List

KEY	PART #	DESCRIPTION	KEY	PART #	DESCRIPTION
1	60272	AGITATOR AXLE ASSEMBLY	14	32107	1/4-20 WING NUT
2	16131	HOPPER ASSEMBLY	15	25113	FRAME
3	31141	#14 X 3/4" TYPE "AB" HWHS ZINC	16	12265	END CAP SHUT-OFF
4	60205	UPPER HANDLE W/GRIP	17	70108DR	5 SPOKE 12" WHEEL
5	37108	1/4-20 X 1 3/4" CARRIAGE BOLT	18	12132	BEARING
6	31133	#8 X 3/4 PHPS TYPE A (BLACK)	19	12176	SHUT OFF (DROP SPREADERS)
7	12319	UPPER HOUSING CLIP	20	32108	10-24 HX. NUT ZINC PLATED
8	60526	CONTROL ASSEMBLY	21	12261	END CAP HOPPER
9	12223	INDICATOR-DROP	22	37111	10-24 X 1" CARRIAGE BOLT 2 ZINC
10	32106	10-24 WING NUT ZINC	23	36208	#6 X 3/8" TYPE 25 PHPS S.S.
11	32100	1/4-20 HEX NUT ZINC	24	33106	1/8" X 3/4" COTTER PIN ZINC
12	60379	WIRE HSG ASSEMBLY	25	33107	1/8" X 1 3/4" COTTER PIN S.S.
13	37106	1/4-20 X 2" CARRIAGE BOLT ZINC	26	34103	1"OD X 17/32"ID X 1/32" WASHER ZINC

ONE YEAR WARRANTY

Limited Warranty

EarthWay Products, LLC. provides this limited warranty that this product is free of defects in original workmanship and materials for a period of one year to the end user with the original purchase receipt. If a manufacturing non-conformance is found, EarthWay Products, LLC. at its discretion will repair or replace the part(s)/product at no charge provided the failure is not the result of incorrect installation, mishandling, misuse, tampering, improper storage, or normal wear and tear as determined by EarthWay. Due to the corrosive nature of most fertilizers and ice melt products, EarthWay Products, LLC. makes no warranty against and specifically excludes part(s) or product degradation or failure due to corrosion or its effects.

EarthWay at its discretion may require that the part(s) or product be returned along with the original purchase receipt for examination and compliance with the terms of this limited warranty. Do not return any product without first receiving authorization from EarthWay Products, LLC. IN NO EVENT SHALL EITHER PARTY BE LIABLE TO THE OTHER FOR SPECIAL, INDIRECT, INCIDENTAL, OR CONSEQUENTIAL DAMAGES, EVEN IF SUCH PARTY SHALL HAVE BEEN ADVISED OF THE POSSIBILITY OF THE SAME.

To seek remedy under this limited warranty, contact EarthWay Products, LLC. at support@earthway.com or write to EarthWay Products, LLC. 1009 Maple Street, Bristol, IN 46507, and describe the nature of the manufacturing defect. SPECIFIC LIMITATIONS: This limited warranty covers only the part(s) or product; any labor charges associated with the repair or replacement of non-conformances are specifically excluded. The above-listed warranty procedure is a condition precedent to bringing any legal action to enforce this limited warranty. Any action to enforce any portion of this limited warranty must be commenced within ninety days after the expiration of the limited warranty coverage period. Any performance of repairs will not suspend this limitation period from expiring unless state law provides otherwise. Any performance of repairs after the limited warranty coverage period has expired, or performance of repairs regarding anything excluded from coverage under this limited warranty shall be considered “goodwill” repairs, and they will not change the express terms of this limited warranty or extend the limited warranty coverage period.

Exclusive jurisdiction for deciding legal disputes relating to alleged breach of warranty or representations of any nature relating to this limited warranty must be filed in the courts of Elkhart County within the State of Indiana. Any and all claims, controversies, and causes of action arising out of or relating to this limited warranty, whether sounding in contract, tort, or statute, will be governed by the laws of the State of Indiana, without giving effect to any choice or conflict of law provision or rule.

NO OTHER WARRANTY, EXPRESS, IMPLIED, OR STATUTORY, SHALL APPLY, INCLUDING, BUT NOT LIMITED TO, ANY IMPLIED WARRANTY OF MERCHANTABILITY, APPLICATION, OR FITNESS FOR A PARTICULAR PURPOSE, OR ANY OTHER WARRANTY OBLIGATION ON THE PART EARTHWAY, AND ALL SUCH WARRANTIES ARE EXPRESSLY DISCLAIMED. In the event that applicable law prevents the disclaimer of any implied warranties, then such implied warranty shall be limited to the fullest extent permitted by law. Without limiting the foregoing, if applicable prevents the disclaimer of any such implied warranties, this limited warranty limits the period of time in which a claim for breach of implied warranties, including but not limited to the implied warranty of merchantability or fitness for a particular purpose, may be filed. In such event, any claim for breach of implied warranty must be brought before the expiration of this express limited warranty’s one-year term.

HOW TO ORDER SPARE PARTS – CALL or EMAIL:

TURF DEPOT 800-305-9255 or earthway@turfdepot.com

CUSTOMER SERVICE

SUPPORT@EARTHWAY.COM | www.EARTHWAY.com | 1009 Maple Street, Bristol, IN 46507
