



SIDE SPREAD CONTROL

SIDESPREAD CONTROL™

Patent U.S. 10,993,368

Your EarthWay spreader includes a patented feature to prevent fertilizer from being spread to the left side. To activate this feature, slide the lever below the hopper to the back (if standing behind the spreader) and position the left wheel 6"-12" from your sidewalk or border. This will not waste fertilizer like competitor designs that leave 7X the fertilizer inside the wheels from blocking material leaving the impeller.

ASSEMBLY

For assembly, flip up handle and tighten each wing nut to hold handle in position

SPREADER RATE SETTINGS

LBS PER 1000 SQUARE FEET	GRASS SEED	FERTILIZER	SAND
		SGN 240 (3/32")	SGN 150 (1/16")
1 LB		9	7
2 LB	14	13	10
3 LB	16	16	13
4 LB	18	20	14
5 LB	20	22	16
8 LB		28	22

CUSTOMER SERVICE

SUPPORT@EARTHWAY.COM | www.EARTHWAY.com | 1009 Maple Street, Bristol, IN 46507

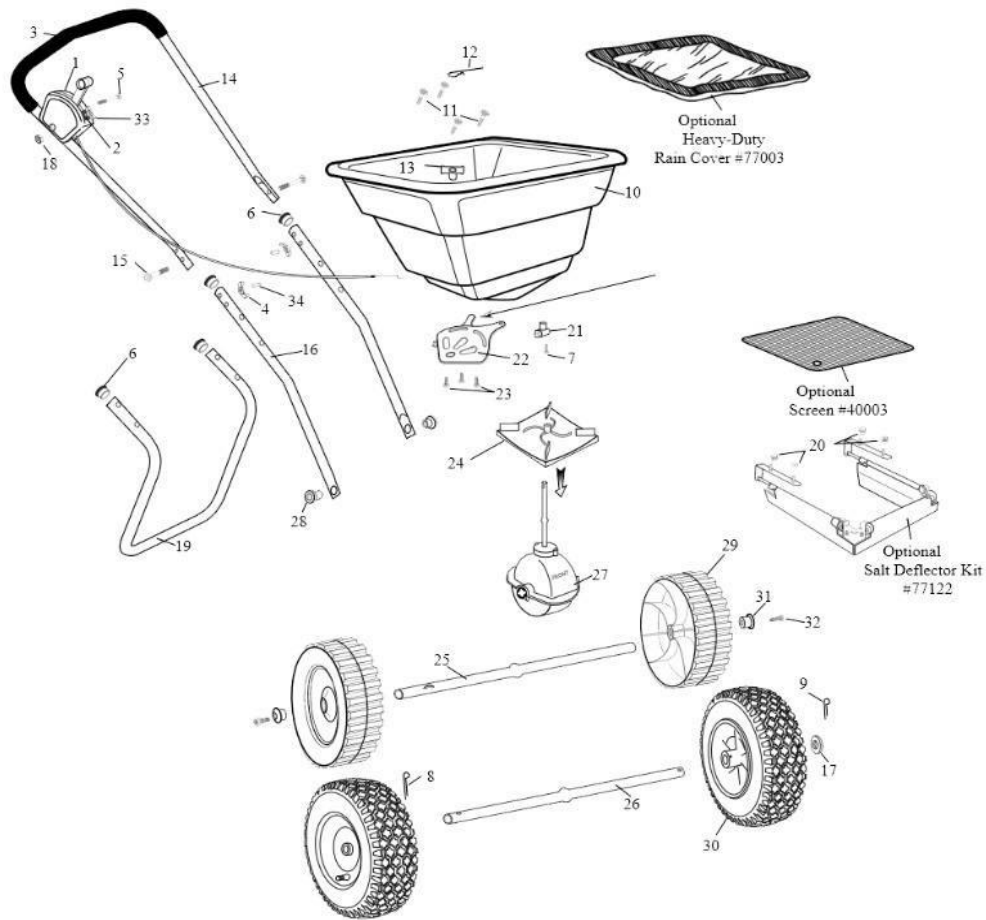
ONE YEAR WARRANTY

EarthWay Products, Inc. warrants this product free of defects in original workmanship and materials for a period of one year to the end user with the original purchase receipt. If a manufacturing non-conformance is found, EarthWay Products, Inc. at its discretion will repair or replace the part(s)/product at no charge provided the failure is not the result of incorrect installation, mishandling, misuse, tampering, or normal wear and tear as determined by EarthWay.

EarthWay at its discretion may require that the part(s) or product be returned along with the original purchase receipt for examination and compliance with the terms of this warranty. Do not return any product without first receiving authorization from EarthWay Products, Inc.

To seek remedy under this warranty, contact EarthWay Products, Inc. at support@earthway.com or write to EarthWay Products, Inc. 1009 Maple Street, Bristol, IN 46507 and describe the nature of the manufacturing defect. SPECIFIC LIMITATIONS: This warranty covers only the part(s) or product; any labor charges associated with repair or replacement of non-conformances are specifically excluded. Due to the corrosive nature of most fertilizers and ice melt products, EarthWay Products, Inc. makes no warranty against and specifically excludes part(s) or product degradation or failure due to corrosion or its effects.

HOW TO ORDER SPARE PARTS – CALL or EMAIL:
TURF DEPOT 800-305-9255 or earthway@turfdepot.com



80 POUND (2050) Broadcast Spreader Parts List					
SERIES	PART #	DESCRIPTION	SERIES	PART #	DESCRIPTION
1	60515	CONTROL ASSEMBLY	15	32107	1/4-20 WING NUT ZINC
2	37108	1/4-20 X 1 3/4" CARRIAGE BOLT ZINC	16	25701	STAND
3	19132	7/8" TUBE PLUG	17	12318	LOWER HOUSING CLIP
4	31124	#10 X 5/8" TYPE A PHPS ZINC	18	12221	SHUT OFF PLATE
5	33107	1/8 X 1 3/4" COTTER PIN S.S.	19	12248	IMPELLER DISHED
6	33106	1/8 X 3/4" COTTER PIN ZINC	20	70142	NUT PROTECTOR
7	60363	HOPPER ASSEMBLY	21	23511	AXLE (2050P)
8	31161	#14 X 1 3/4 TYPE AB HWHS ZINC	22	60404	GEAR BOX ASSEMBLY
9	33117	AGITATOR	23	12197	SPACER BEARING
10	60364	UPPER HANGLE ASSEMBLY	24	70106	10" PNEUMATIC DRIVE WHEEL (2050P)
11	37106	1/4-20 X 2" CARRIAGE BOLT ZINC	25	12107	10" WHEEL (2050SU)
12	25220	LOWER HANDLE	26	23510	AXLE (2050SU)
13	34103	1" OD X 17/32" ID X 1/32" WASHER ZINC	27	12276	AXLE PLUG (2050SU)
14	32100	1/4-20 HEX NUT ZINC	28	31148	10 X 1" TYPE A PHPS BLACK (2050SU)